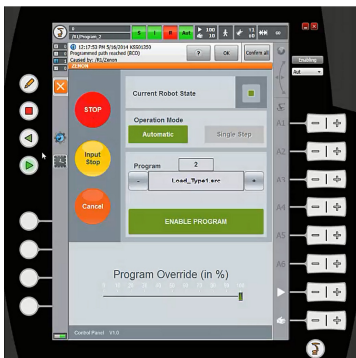
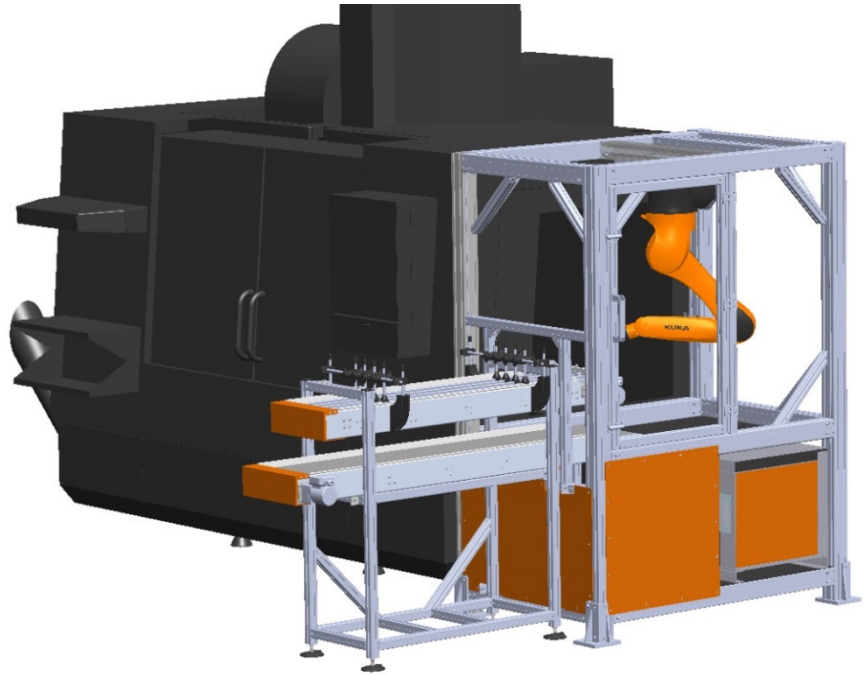


PartNR Machine Tool Tending Cell

Your autonomous machine tending partner

Automation Éclair's PartNR cell is a turnkey robotic machine tool tending cell, designed for small to medium manufacturers. It's compact, quick to install, and easy to configure to run new parts. Therefore, it's ideal for low volume, high part mix manufacturing. At the heart of the cell is a KUKA robot (Made in Germany), specifically selected to make the cell reliable and easy to maintain, while providing fast cycle times and great precision. Despite the use of high end components, the typical ROI for the cell for a single shift operation is less than 1 year.



Features and Benefits

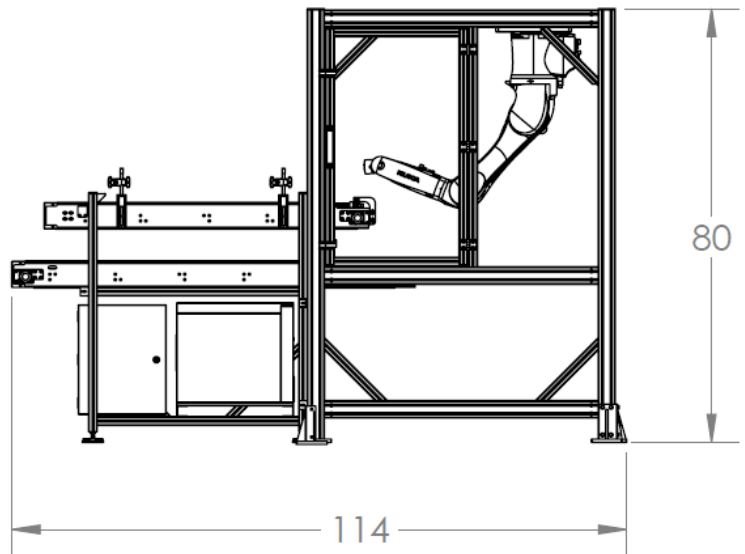
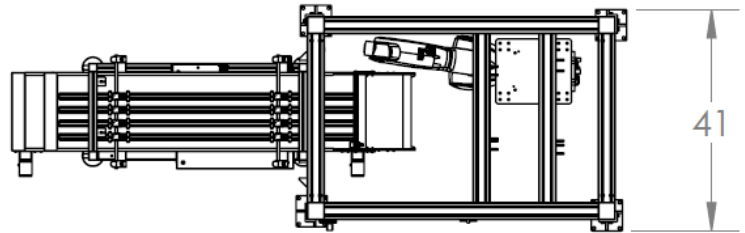
- Complete machine is pre-wired and assembled on a common base for quick installation so you're operational in minutes
- First part comes pre-programmed, including gripper fingers and vise jaws
- Depending on the machining cycle time and part size, the cell can provide up to 8 hours of autonomous operation
- Allows the machine tool to perform both OP10 and OP20 operations in the same cycle
- Simple, intuitive operator control via touch screen is easy to learn and use
- The robot can be jogged intuitively with a 6D joystick
- Compatible with most machine tools

PartNR Machine Tool Tending Cell

Your autonomous machine tending partner

Standard Specifications

Robot	KR 6 R900 sixx C
Maximum robot reach	900 mm
Number of grippers	2
Maximum parts weight	4 kg
Positional repeatability	<+/- 0.03
Controller	KR C4 smallsize-2
Power requirements	120V or 220V AC 1 ph
Air requirements	90 psi
HMI	KUKA smartPAD color touch screen pendant
Safety	ESA approved PHSR approved CSA Z434-03 compliant
Conveyor width / length	14' / 48"
Adjustable lane dividers	up to 4
Vise	1 included



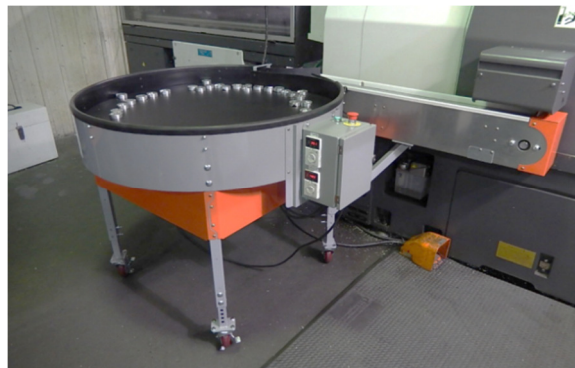
Options

Robot	KR 10 R900 sixx C
No. of additional grippers	1
Maximum parts weight	8 kg
No. of additional vise	1
Adjustable lane dividers	More upon request
PLC & HMI Integration	Allen Bradley Omron Siemens
Marking	Includes verification
Vision	Part ID and location
Conveyor length	Customizable
Remote diagnostics	For faster support

Other Products from Automation Eclair

Accumulator

Clears the output from a numerical-control lathe and improves its productivity



website www.automationclair.ca
 e-mail info@automationclair.ca
 phone +1 514-291-6678
 address 1099 rue de la Bécassine
 St-Jérôme, QC J5L 1E5

KUKA
 OFFICIAL SYSTEM
PARTNER